

# 9 Series Range

800kVA - 3300kVA



**AJ**  
**Power**

Engineering Excellence - Built on Experience

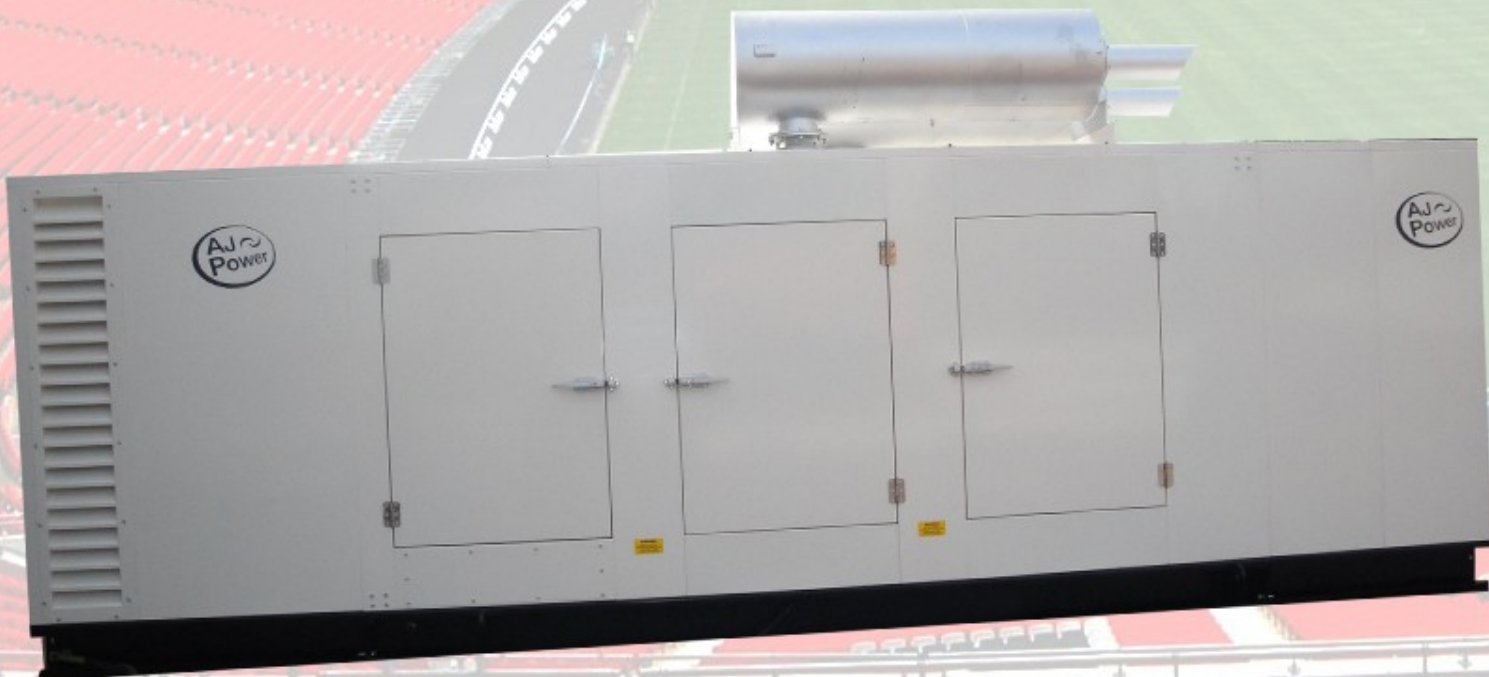


# The AJ Power

## 9 Series

### Range

Since its inception, AJ Power has been at the forefront of the power generation industry. The company has been a standard bearer for the industry always seeking perfection where it didn't exist. Whether it be low or high voltage (11-13.8kV) the engineers of AJ Power are uncompromising in using today, the technologies of tomorrow.

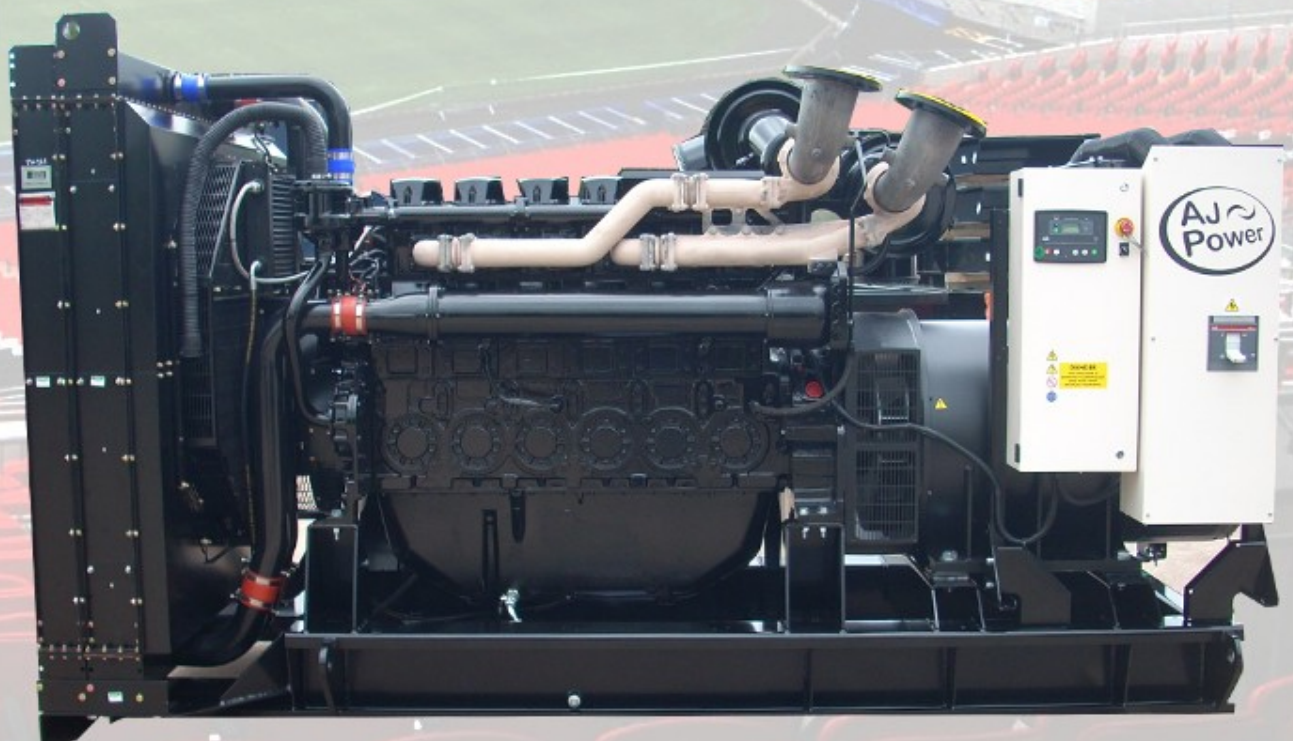


Welcome to the 9 Series generating sets, a range of thoroughbred from the AJ Power stable.

- ◆ All our **Engines** are produced in **United Kingdom or Europe**
- ◆ All our **Alternators** are sourced in the **United Kingdom.**
- ◆ All our **Steel** is sourced in the **United Kingdom.**

**AJ Power is not just a brand, it defines origin and what we stand for...**

**... POWER you can rely on —  
EVERY MINUTE OF THE DAY**



# Heritage

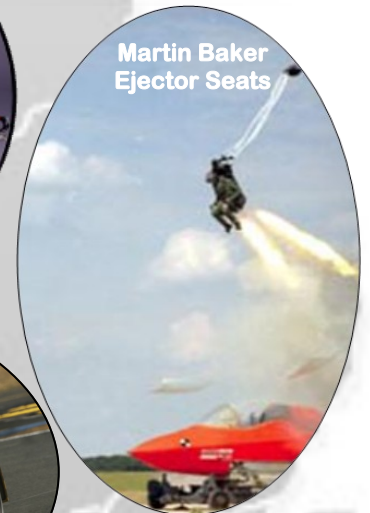
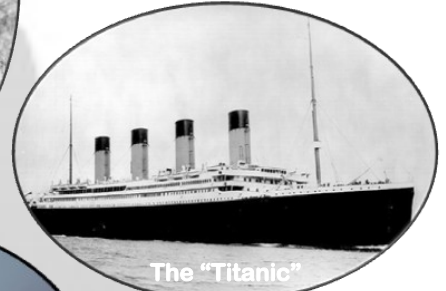
Northern Ireland is part of the United Kingdom and has a proud history in engineering that dates back over three hundred years. The engineers of Northern Ireland have brought many products into being that have changed our lives for the better.

Pneumatic tyres, tractors, four wheel drive systems, ejector seats, aeroplanes, and ships are just some of the products that have been invented, designed or manufactured in Northern Ireland.

By the early 20th Century Northern Ireland had become the world centre for ship building and produced the fastest and most luxurious liners including the ill fated "Titanic" from the famous Harland and Wolff shipyard in Belfast.

Dunlop, Massey Ferguson, Martin Baker are iconic brands that live on today.

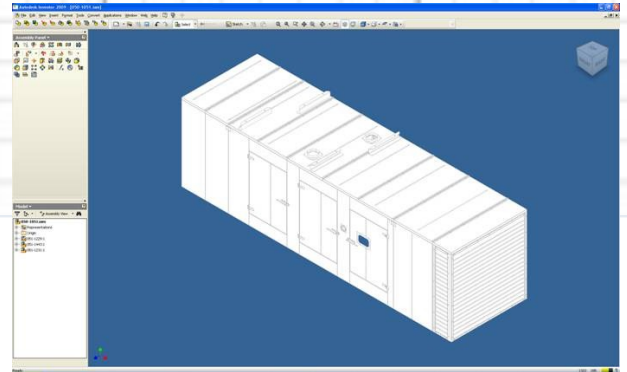
AJ Power is proud of its origins and the engineering heritage of Northern Ireland and strives today to bring superior products, manufactured in the United Kingdom, to world markets.



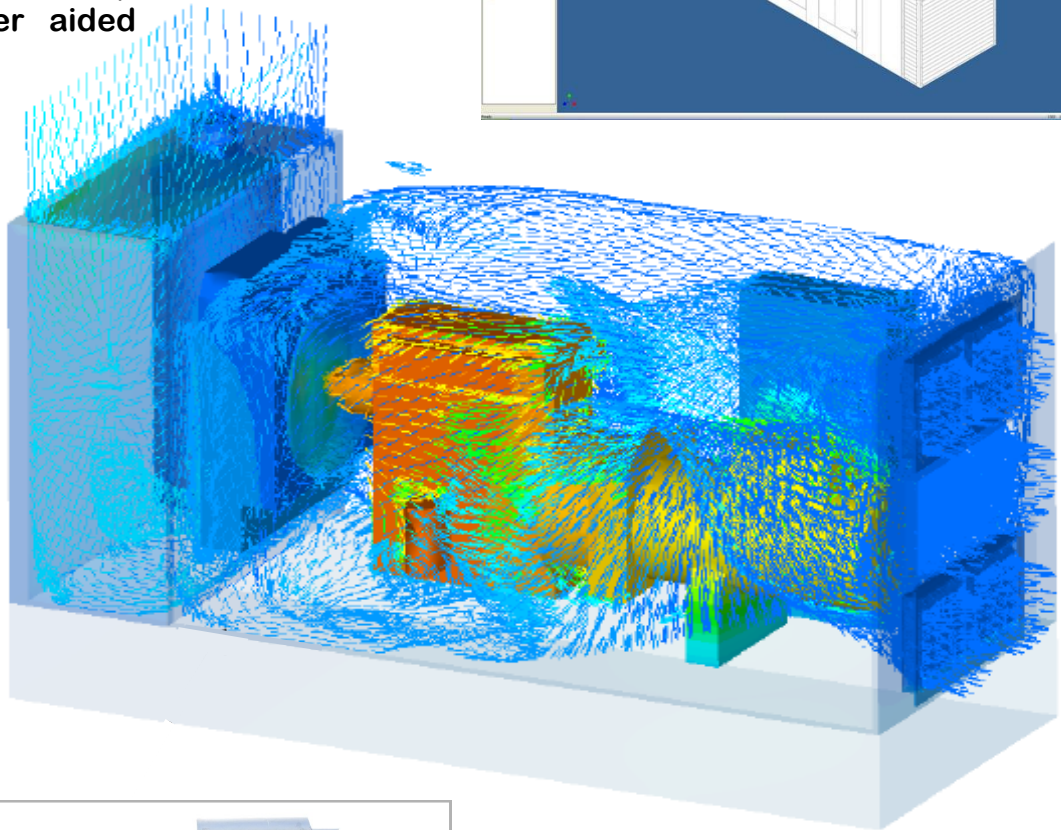
# Technology

When your design team has over four decades of experience in the design and manufacture of diesel generating sets you would expect them to get it right - and they did, with a little help from computer aided design tools.

## 3 Dimensional Solid Modelling...



## Computational Fluid Dynamics...



## Machine Validation...



# One Glance is Enough...

# ... First Impressions Last 5

# Ratings Summary

## Three Phase Models\*

	50Hz				50Hz				50Hz					
	415/240V				400/230V				380/220V					
	Prime		Standby		Prime		Standby		Prime		Standby			
	kVA	kW	kVA	kW	kVA	kW	kVA	kW	kVA	kW	kVA	kW		
AJ715	650.0	520.0	715.0	572.0	AJ715	650.0	520.0	715.0	572.0	AJ715	650.0	520.0	715.0	572.0
AJ800	730.0	584.0	800.0	640.0	AJ800	730.0	584.0	800.0	640.0	AJ800	730.0	584.0	800.0	640.0
AJ860	800.0	640.0	850.0	680.0	AJ860	800.0	640.0	860.0	688.0	AJ860	800.0	640.0	850.0	680.0
AJ900	800.0	640.0	900.0	720.0	AJ900	800.0	640.0	900.0	720.0	AJ900	800.0	640.0	900.0	720.0
AJ1000	910.0	728.0	1000.0	800.0	AJ1000	910.0	728.0	1000.0	800.0	AJ1000	910.0	728.0	1000.0	800.0
AJ1100	1000.0	800.0	1100.0	880.0	AJ1100	1000.0	800.0	1100.0	880.0	AJ1100	1000.0	800.0	1100.0	880.0
AJ1220	1125.0	900.0	1220.0	976.0	AJ1220	1125.0	900.0	1220.0	976.0	AJ1220	1125.0	900.0	1220.0	976.0
AJ1250	1125.0	900.0	1250.0	1000.0	AJ1250	1125.0	900.0	1250.0	1000.0	AJ1250	1125.0	900.0	1250.0	1000.0
AJ1350	1250.0	1000.0	1350.0	1080.0	AJ1350	1250.0	1000.0	1350.0	1080.0	AJ1350	1250.0	1000.0	1350.0	1080.0
AJ1375	1250.0	1000.0	1375.0	1100.0	AJ1375	1250.0	1000.0	1375.0	1100.0	AJ1375	1250.0	1000.0	1375.0	1100.0
AJ1400	1275.0	1020.0	1400.0	1120.0	AJ1400	1275.0	1020.0	1400.0	1120.0	AJ1400	1275.0	1020.0	1400.0	1120.0
AJ1500	1350.0	1080.0	1500.0	1200.0	AJ1500	1350.0	1080.0	1500.0	1200.0	AJ1500	1350.0	1080.0	1500.0	1200.0
AJ1650	1500.0	1200.0	1650.0	1320.0	AJ1650	1500.0	1200.0	1650.0	1320.0	AJ1650	1500.0	1200.0	1615.0	1292.0
AJ1770	1650.0	1320.0	1770.0	1416.0	AJ1770	1650.0	1320.0	1770.0	1416.0	AJ1770	1650.0	1320.0	1715.0	1372.0
AJ1870	1700.0	1360.0	1870.0	1496.0	AJ1870	1700.0	1360.0	1870.0	1496.0	AJ1870	1700.0	1360.0	1870.0	1496.0
AJ2035	1850.0	1480.0	2035.0	1628.0	AJ2035	1850.0	1480.0	2035.0	1628.0	AJ2035	1845.0	1476.0	1975.0	1580.0
AJ2230	2025.0	1620.0	2230.0	1784.0	AJ2230	2025.0	1620.0	2230.0	1784.0	AJ2230	2020.0	1616.0	2135.0	1708.0
AJ2250	2080.0	1664.0	2250.0	1800.0	AJ2250	2080.0	1664.0	2250.0	1800.0	AJ2250	2080.0	1664.0	2250.0	1800.0
AJ2360	2200.0	1760.0	2360.0	1888.0	AJ2360	2200.0	1760.0	2360.0	1888.0	AJ2360	2200.0	1760.0	2360.0	1888.0
AJ2550	2300.0	1840.0	2550.0	2040.0	AJ2550	2300.0	1840.0	2550.0	2040.0	AJ2550	2300.0	1840.0	2550.0	2040.0
AJ2835	2575.0	2060.0	2835.0	2264.0	AJ2835	2575.0	2060.0	2835.0	2264.0	AJ2835	2575.0	2060.0	2835.0	2264.0
AJ3070	2790.0	2232.0	3070.0	2456.0	AJ3070	2790.0	2232.0	3070.0	2456.0	AJ3070	2790.0	2232.0	3070.0	2456.0
AJ3125	2840.0	2272.0	3125.0	2500.0	AJ3125	2840.0	2272.0	3125.0	2500.0	AJ3125	2840.0	2272.0	3125.0	2500.0
AJ3260	3025.0	2420.0	3260.0	2608.0	AJ3260	3025.0	2420.0	3260.0	2608.0	AJ3260	3025.0	2420.0	3260.0	2608.0
AJ3350	3025.0	2420.0	3350.0	2680.0	AJ3350	3025.0	2420.0	3350.0	2680.0	AJ3350	3025.0	2420.0	3350.0	2680.0

In line with our policy of continuous development, we reserve the right to change specification without notice



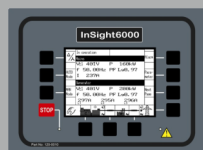

60Hz	60Hz	60Hz
Please consult factory for 60Hz ratings.		

\* Emission legislation varies throughout the world. Please check with factory.

## Digital Control Systems...

... for Greater Reliability and Accuracy

### The 'InSight' Range

	<p><b>InSight3200</b> - Manual, remote start, liquid crystal display, full instrumentation and optional remote monitoring (Standard control panel)</p>		<p><b>InSight4000</b> - Full automatic mains failure supervision capability, optional remote monitoring</p>
	<p><b>InSight6000</b> - Automatic synchronising of up to 32 units in both isolated and mains parallel operations with load management features.</p>		<p><b>ATSc</b>—Automatic transfer switch controller</p>



## Standard Features

### Mechanical & Electrical

Lube oil drain  
Coolant drain  
Low lube oil pressure shutdown  
High coolant temperature shutdown  
Overspeed shutdown  
Low battery voltage alarm

30% antifreeze coolant solution  
Emergency stop push button  
Electronic governor

All sheet metal products are pre-treated & powder coated

## Optional Features (others also available)

### Mechanical

Sound attenuated canopy  
(available on certain models only. Please consult factory.)  
Sound attenuated container  
Coolant heater  
Lube oil drain pump  
Transition mounting flange  
Low ambient coolant solution

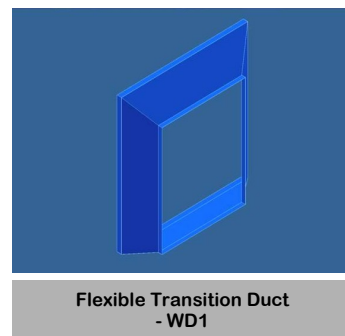
3 way fuel valve (for local/remote tank)  
Automatic fuel transfer system  
Industrial silencer  
Residential silencer  
Silencer mounting kit (open sets)  
Stainless steel bellows

### Electrical

Control panel upgrade  
Control panel heater  
Volt free contacts  
Remote communication solution:  
-Monitoring  
-Control  
Automatic transfer switch  
MV/HV alternator  
Alternator anti-condensation heater  
Permanent magnet generator (PMG)  
Resistance temperature detectors (RTD's)  
Alternator thermistors  
Battery charger

Radio frequency interference suppression kit (RFI)  
Earth leakage protection  
3 pole circuit breaker  
4 pole circuit breaker  
Motorised circuit breaker  
Approaching low lube oil pressure alarm  
Approaching high coolant temperature alarm  
Low coolant level alarm  
Low coolant temperature alarm  
G59 /G10 mains protection cubicle

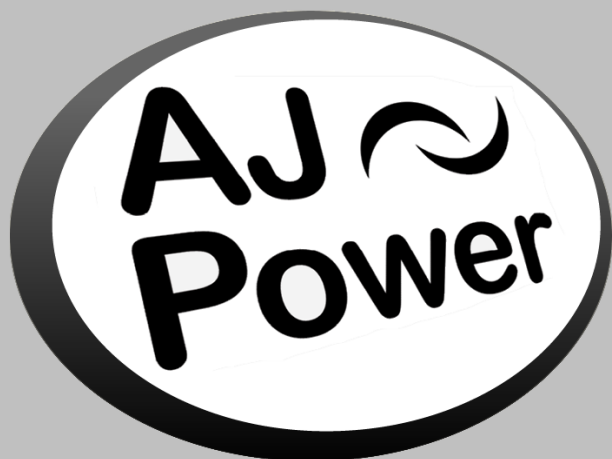
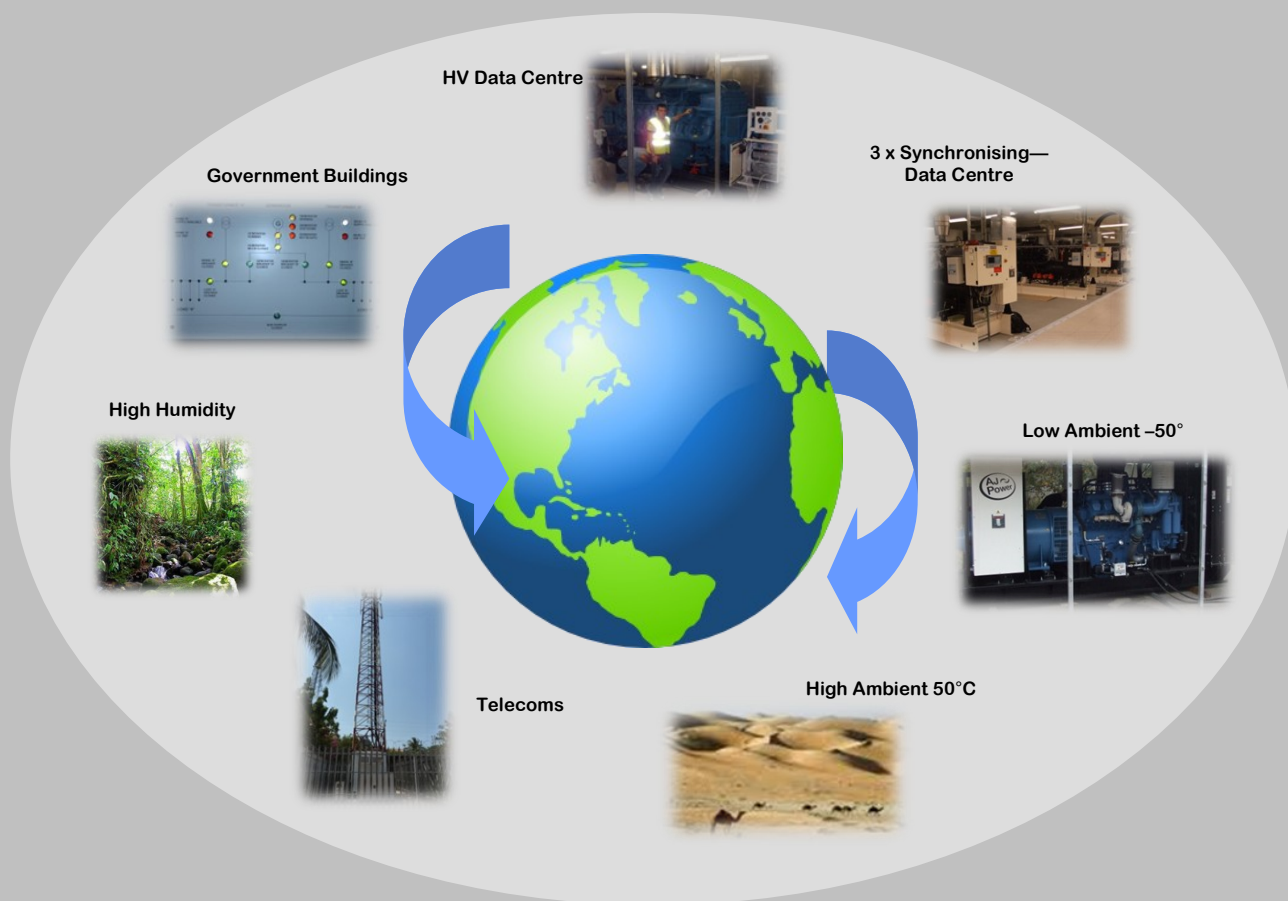
Some options may require a panel upgrade  
Fuel tanks available on some sizes. Please consult factory



AJ Power Limited, 1 Charlestown Drive, Craigavon, BT63 5GA,  
Northern Ireland, United Kingdom

Tel: +44 (0)28 3836 1000  
www.ajpower.net

## 'Diesel Generating Sets Worldwide'



Engineering Excellence - Built on Experience



generic\_9series\_201107

Engineering Excellence - Built on Experience