

Genset Data Sheet 1

	Prime	Standby
Genset model	AJ 22P	AJ 22S
220-240V, 50Hz	16.3 kVA 16.3 kW	17.5 kVA 17.5 kW
220 /110V, 60Hz	17.7 kVA 17.7 kW	18.9 kVA 18.9 kW

Ratings at 1.0 pf

Prime

This rating is for the supply of continuous electrical power (at variable load) in lieu of commercially purchased power. There is no limitation on the annual hours of operation and 10% overload power can be supplied for one hour in twelve hours.

Standby

This rating is for the supply of continuous electrical power (at variable load) in the event of a utility power failure. No overload is permitted.

Engine model	Deutz	D2009L04	
Number of cylinders		4 in-line	
Cubic capacity	litre (cu inch)	2.30 (140)	
Aspiration		Natural	
Alternator	Newage	Stamford	
Frequency	Hz	50	60
Engine speed	rpm	1500	1800
Fuel tank capacity	litre (USgal)	100 (26.4)	100 (26.4)
Fuel consumption at full rating:			
Prime	litre /h (USgal /h)	5.10 (1.35)	6.71 (1.77)
Standby	litre /h (USgal /h)	5.90 (1.56)	7.51 (1.98)
Heat rejection to exhaust system (max)	kW (BTU /min)	14.1 (801)	21.1 (1199)
Heat rejection to cooling system (max)	kW (BTU /min)	12.1 (688)	15.2 (864)
Total radiated heat (max)	kW (BTU /min)	6.8 (386)	10.4 (591)
Exhaust temperature (max)	deg C (deg F)	546 (1015)	585 (1085)
Radiator cooling air flow	cu m /min (cfm)	7.1 (252)	24.8 (877)
with max restriction	mm (inch) H ₂ O	15.0 (0.60)	15.0 (0.60)
Combustion air flow (max)	cu m /min (cfm)	1.44 (51)	1.80 (64)
Exhaust gas flow (max)	cu m /min (cfm)	3.96 (140)	5.04 (178)
with max allowable back pressure	mm (inch) H ₂ O	203 (8.0)	305 (12.0)



**Diesel
Compact set
Single phase
AJ 22**

Note: Standard reference conditions: 25deg C (77deg F) air inlet temperature, 152.4m (500feet) above sea level, 60% relative humidity. All engine performance data based on the above mentioned maximum continuous ratings. Fuel consumption data at full load for diesel fuel with specific gravity of 0.85 and conforming to BS2869: 1998, class A2.

Genset photograph may include optional extras

Genset Data Sheet 2

Genset model AJ 22



Dimensions

Length (A)	mm (inch)	1,325 (52.2)
Width (B)	mm (inch)	720 (28.3)
Height (C)	mm (inch)	1,100 (43.3)
Max horizontal projection of open door (D)	mm (inch)	Not applicable
Max total height of open door (E)	mm (inch)	Not applicable

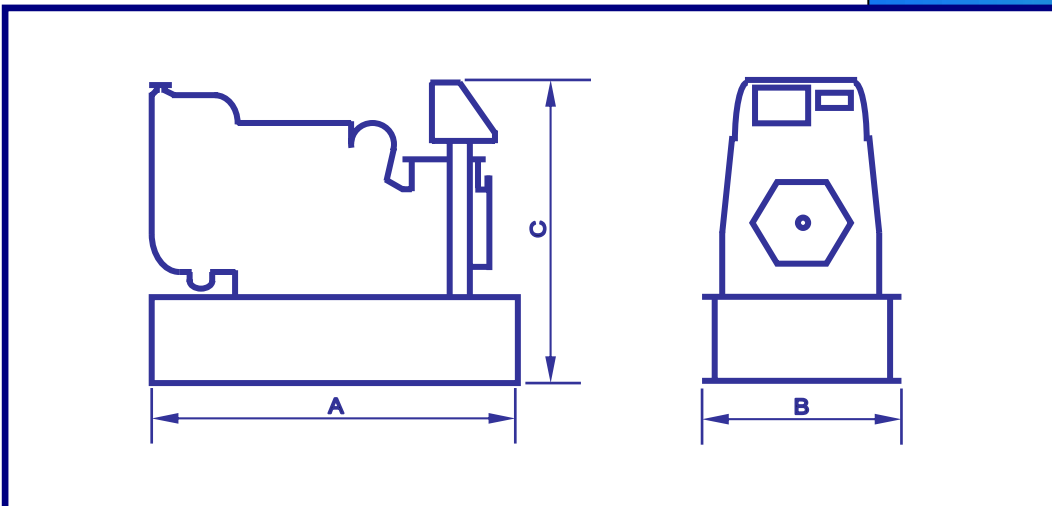
Weights:

Dry weight (with lube oil)	kg (lb)	500 (1,100)
Wet weight (with lube oil and coolant)	kg (lb)	525 (1,155)

Sound pressure levels:

		50Hz 1500rpm	60Hz 1800rpm
15m, 75% load	dB(A)	TBA	TBA
15m, 100% load	dB(A)	TBA	TBA
7m, 75% load	dB(A)	TBA	TBA
7m, 100% load	dB(A)	TBA	TBA
1m, 75% load	dB(A)	TBA	TBA
1m, 100% load	dB(A)	TBA	TBA

**Diesel
Compact set
Single phase
AJ 22**



AJ Power Limited
 1 Charlestown Drive, Carn, Craigavon, BT63 5GA
 Northern Ireland, United Kingdom
 Tel: +44 (0)28 3836 1000 Fax: +44 (0) 28 3836 1010
 E-mail: sales@ajpower.net Web: www.ajpower.net

In line with our policy of continuous development, we reserve the right to change specification without notice

DN5_AJ 22_050511-2