

# Genset Data Sheet 1

	Prime	Standby
Genset model	AJ 22TP	AJ 22TS
220-240V, 50Hz	16.0 kVA 16.0 kW	17.5 kVA 17.5 kW
220 /110V, 60Hz	17.7 kVA 17.7 kW	18.9 kVA 18.9 kW

Ratings at 1.0 pf

## Prime

This rating is for the supply of continuous electrical power (at variable load) in lieu of commercially purchased power. There is no limitation on the annual hours of operation and 10% overload power can be supplied for one hour in twelve hours.

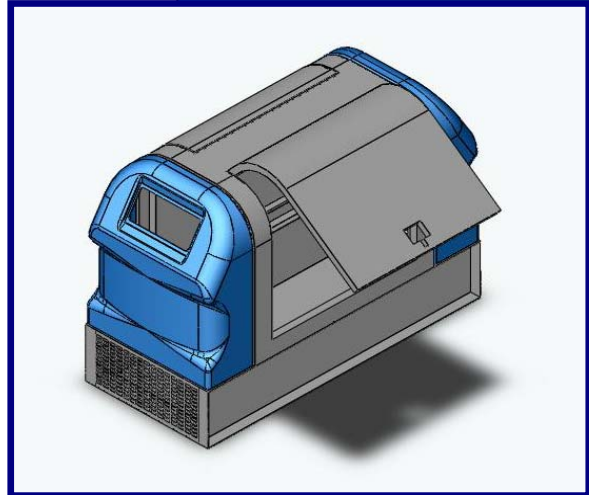
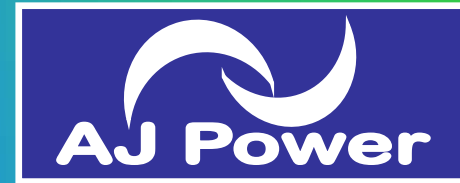
## Standby

This rating is for the supply of continuous electrical power (at variable load) in the event of a utility power failure. No overload is permitted.

Engine	Lister Petter	LPWT4	
Number of cylinders		4 in-line	
Cubic capacity	litre (cu inch)	1.86 (113)	
Aspiration		Turbocharged	
Alternator	Newage	Stamford	
Frequency	Hz	50	60
Engine speed	rpm	1500	1800
Fuel tank capacity	litre (USgal)	100 (26.4)	100 (26.4)
Fuel consumption at full rating:			
Prime	litre /h (USgal /h)	5.23 (1.37)	6.38 (1.67)
Standby	litre /h (USgal /h)	5.78 (1.52)	7.02 (1.84)
Heat rejection to exhaust system (max)	kW (BTU /min)	14.6 (830)	17.5 (995)
Heat rejection to cooling system (max)	kW (BTU /min)	16.4 (932)	19.7 (1,119)
Total radiated heat (max)	kW (BTU /min)	Not applicable	Not applicable
Exhaust temperature (max)	deg C (deg F)	420 (788)	440 (824)
Radiator cooling air flow	cu m /min (cfm)	Not applicable	Not applicable
with max restriction	mm (inch) H <sub>2</sub> O	Not applicable	Not applicable
Combustion air flow (max)	cu m /min (cfm)	1.78 (63)	2.30 (81)
Exhaust gas flow (max)	cu m /min (cfm)	Not applicable	Not applicable
with max allowable back pressure	mm (inch) H <sub>2</sub> O	Not applicable	Not applicable

Note: Standard reference conditions: 25deg C (77deg F) air inlet temperature, 152.4m (500feet) above sea level, 60% relative humidity. All engine performance data based on the above mentioned maximum continuous ratings. Fuel consumption data at full load for diesel fuel with specific gravity of 0.85 and conforming to BS2869: 1998, class A2.

Genset photograph may include optional extras



**Diesel  
Sound  
attenuated  
Single phase  
AJ 22T**

# Genset Data Sheet 2

Genset model AJ 22T

## Dimensions

Length (A)	mm (inch)	1,600 (63.0)
Width (B)	mm (inch)	720 (28.3)
Height (C)	mm (inch)	1,200 (47.2)
Max horizontal projection of open door (D)	mm (inch)	550 (21.7)
Max total height of open door (E)	mm (inch)	1,970 (77.6)

## Weights:

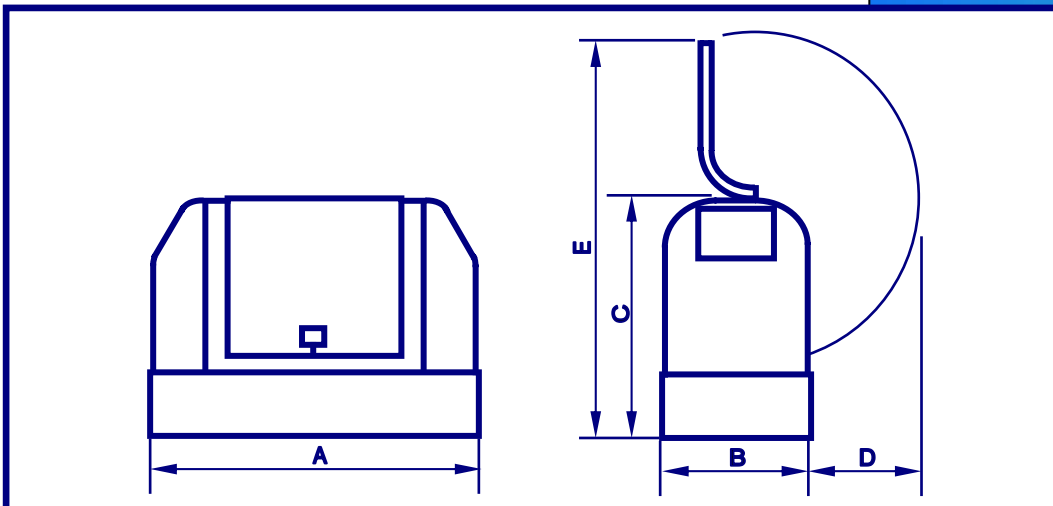
Dry weight (with lube oil)	kg (lb)	600 (1,320)
Wet weight (with lube oil and coolant)	kg (lb)	625 (1,375)

## Sound pressure levels:

		50Hz 1500rpm	60Hz 1800rpm
15m, 75% load	dB(A)	60.0	62.0
15m, 100% load	dB(A)	60.0	62.0
7m, 75% load	dB(A)	66.0	68.0
7m, 100% load	dB(A)	66.0	68.0
1m, 75% load	dB(A)	77.0	79.0
1m, 100% load	dB(A)	77.0	79.0



**Diesel  
Sound  
attenuated  
Single phase  
AJ 22T**



## AJ Power Limited

1 Charlestown Drive, Carn, Craigavon, BT63 5GA  
Northern Ireland, United Kingdom  
Tel: +44 (0)28 3836 1000 Fax: +44 (0) 28 3836 1010  
E-mail: sales@ajpower.net Web: www.ajpower.net

In line with our policy of continuous development, we reserve the right to change specification without notice

DA5\_AJ 22T\_040515-2